

God's Covenant with David

David was the new king of all Israel. He wanted to move the ark of God from the land of Abinadab to Jerusalem. David gathered thirty thousand chosen men from all of Israel, and began to move the ark. They put the ark on a new cart and moved it down the hill toward the threshing floor.

David and all the men of Israel were celebrating with all kinds of instruments: lyres, harps, tambourines, castanets and cymbals. While they were celebrating, the ark almost fell from the cart because of the oxen. When Uzzah reached out to steady the _____, the LORD struck him down. They were not moving the ark as God had instructed. Uzzah died there that day.

David was angry about Uzzah's death. He named the place Perez-uzzah. David was afraid to move the ark any further so they left the ark at the house of Obed-edom the Gittite for three months who was blessed while it was there. Later they learned to move it safely by having the Levites _____ it with its poles.

Then David celebrated with the children of Israel before the LORD. He danced and shouted with the trumpet blowing. As they entered the city, Michal saw King David leaping and dancing before the LORD without his outer kingly garments. She did not like what David was doing. Michal despised him in her _____. Later David told her that he was celebrating to the LORD who had chosen him to be the ruler of all Israel.

David put the ark inside the tent he made for it. Next David offered burnt

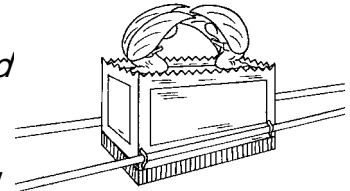
offerings and peace offerings before the LORD. David blessed the people in the name of the LORD.

Then David gave all the men and women cakes of bread, dates, and raisins before they went home.

The LORD gave David peace from all his enemies. David told Nathan, the prophet, that he was living in a house of cedar. He pointed out that the ark of God was dwelling in a _____ of curtains. Nathan told David to do what he wanted to do because the LORD was with him.

That night God told Nathan to tell David that he was not the one to build a house for God to dwell in. God had taken David from being a shepherd of sheep and had made him the _____ of Israel. God had been with David and had destroyed David's enemies. God said he would make David's name great among the people. God said that David's son would build a _____ for God's name. David's throne would be established forever. Nathan told David everything that God said.

David went and sat before God and remembered what God had done for him with a grateful heart. David praised God for his greatness. He thanked him for his promises.



QUESTIONS: What did David want to do for God?
What was God's promise to David?

WORD BANK: ark, carry, heart, house, king, tent

Lesson 41: God's Covenant with David

DAY 1 BIBLE READING: 2 Samuel 6-7 (1 Chr 13-17; Ps. 89; 131; 132)

1. How many men did David gather, and what did he prepare to do? (2 Sm. 6:1-2) _____
2. What does 1 Chronicles 13:1-3 say about the ark during Saul's days? _____
3. What happened to Uzzah, and why? (2 Sm. 6:6-7; Nm. 4:15) _____
4. How did they move the ark three months later? (1 Chr. 15:11-15) _____
5. How did David celebrate? (2 Sm. 6:13-15; 1 Chr. 15:27-29) _____
6. Why do you think Michal was so upset about seeing David without his kingly garments? (2 Samuel 6:16, 20-23) _____
7. David put the ark in a _____, but he wanted to build a _____ for it. (2 Samuel 6:17: 7:1-6)

DAY 2 WORD SEARCH: How many of these key words can you find hidden below?

Ahio, afraid, angry, ark of God, awesome, cart, cedar, dancing, David, despised, died, forever, heart, house, humble, instruments, kingdom, linen, Israel, Michal, Nathan, new, Obed-edom, offering, rest, ruler, shepherd, tent, truth, Uzzah

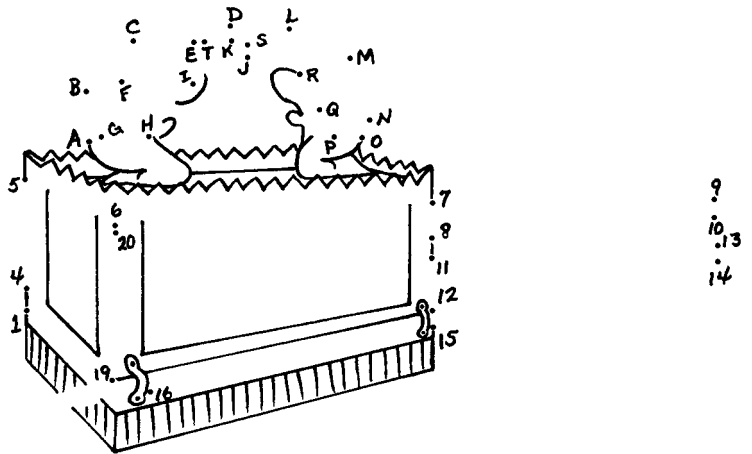
D	T	I	N	S	T	R	U	M	E	N	T	S	H	U
I	A	S	A	T	R	U	T	H	T	W	E	H	O	Z
E	O	R	T	A	S	L	I	N	E	N	N	E	F	Z
D	B	A	H	I	O	E	H	E	A	R	T	P	F	A
A	E	E	A	N	G	R	Y	A	F	C	O	H	E	H
N	D	L	N	E	W	V	F	O	R	E	V	E	R	U
C	E	D	A	R	E	S	T	C	A	R	T	R	I	M
I	D	A	V	I	D	E	S	P	I	S	E	D	N	B
N	O	A	R	K	O	F	G	O	D	E	N	A	G	L
G	M	K	I	N	G	D	O	M	N	H	O	U	S	E
A	W	E	S	O	M	E	M	I	C	H	A	L	T	!

DAY 3 BIBLE VERSE: 2 Sm. 7:16 "And your house and your kingdom shall be made sure forever before me. Your throne shall be established forever."

1. To whom did God give a message for David? (2 Sm. 7:4) _____
2. God took David from the _____ to be _____. (2 Sm. 7:8)
3. What had God done for David in the past, and what was He going to do for David in the future? (7:9) _____
4. What was God going to do for David according to 7:12-13; 1 Chr. 17:4, 11-12? _____
5. What was God going to do for David's son? (2 Sm. 7:14-15) _____
6. What does this section tell you about 2 Samuel 7:16? _____

DAY 4  **BIBLE ACTIVITY:**

1. Connect the dots to find out what the Ark of the LORD may have looked like.



2. Color the ark a golden color.

3.
2
18
17

3. What did David do after Nathan told him all these things? (2 Sm. 7:18)

4. David saw himself as a _____ before God. (2 Sm. 7:19-20)


5. How did David describe God? (2 Sm. 7:22) _____

6. What had God done for Israel? (2 Sm. 7:23-24) _____

7. How do you think this promise to David has been carried out, and how do you think it will be carried out? (Ask for help.) (Mt. 1)

has been in the past: _____

will be some day: _____

DAY 5  **THINK, TALK, DO:** What do you think; who can you talk with; what will you do?

1. How do you spend time looking for what you can do for God? _____

2. How do you spend time looking for what God can do for you? _____

3. What is one way God guided or protected you in the past? _____

4. What is one way you are looking forward to one of God's promises for the future? _____

5. For further information read Psalm 132 this week. What did you learn:

About God: _____

About yourself: _____

6. What is very important to you? _____

7. What do you think is very important to God? _____
