

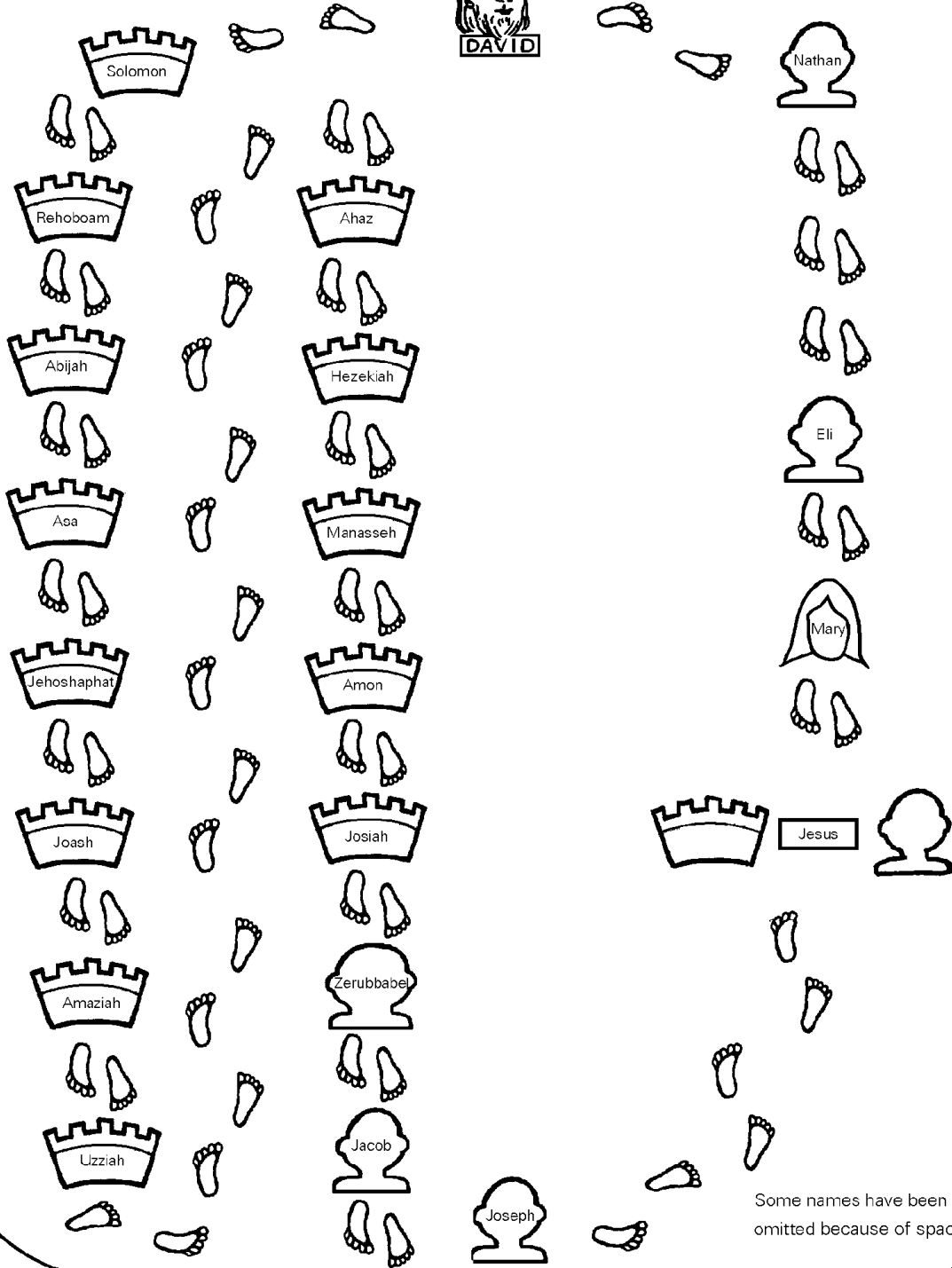
God's Covenant with David

David's Eternal Kingdom

Royal Line (Mt. 1; 1 Chr. 3)



Blood Line (Lk. 3)



"And your house and your kingdom shall be made sure forever before me. Your throne shall be established forever."
2 Samuel 7:16

God's Covenant with David

David was the new king of all Israel. He wanted to move the ark of God from the land of Abinadab to Jerusalem. David gathered thirty thousand chosen men from all of Israel, and began to move the ark. They put the ark on a new cart and moved it down the hill toward the threshing floor.

*David and all the men of Israel were celebrating with all kinds of instruments: lyres, harps, tambourines, castanets and cymbals. While they were celebrating, the ark almost fell from the cart because of the oxen. When Uzzah reached out to steady the **ark**, the LORD struck him down. They were not moving the ark as God had instructed. Uzzah died there that day.*

*David was angry about Uzzah's death. He named the place Perez-uzzah. David was afraid to move the ark any further so they left the ark at the house of Obed-edom the Gittite for three months who was blessed while it was there. Later they learned to move it safely by having the Levites **carry** it with its poles.*

*Then David celebrated with the children of Israel before the LORD. He danced and shouted with the trumpet blowing. As they entered the city, Michal saw King David leaping and dancing before the LORD without his outer kingly garments. She did not like what David was doing. Michal despised him in her **heart**. Later David told her that he was celebrating to the LORD who had chosen him to be the ruler of all Israel.*

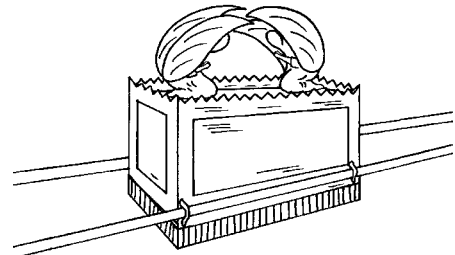
David put the ark inside the tent he made for it. Next David offered burnt

offerings and peace offerings before the LORD. David blessed the people in the name of the LORD. Then David gave all the men and women cakes of bread, dates, and raisins before they went home.

*The LORD gave David peace from all his enemies. David told Nathan, the prophet, that he was living in a house of cedar. He pointed out that the ark of God was dwelling in a **tent** of curtains. Nathan told David to do what he wanted to do because the LORD was with him.*

*That night God told Nathan to tell David that he was not the one to build a house for God to dwell in. God had taken David from being a shepherd of sheep and had made him the **king** of Israel. God had been with David and had destroyed David's enemies. God said he would make David's name great among the people. God said that David's son would build a **house** for God's name. David's throne would be established forever. Nathan told David everything that God said.*

David went and sat before God and remembered what God had done for him with a grateful heart. David praised God for his greatness. He thanked him for his promises.



QUESTIONS: What did David want to do for God?
What was God's promise to David?

Lesson 41: God's Covenant with David

Passage for Study: 2 Samuel 6-7 (1 Chr 13-17; Ps. 89; 131; 132)

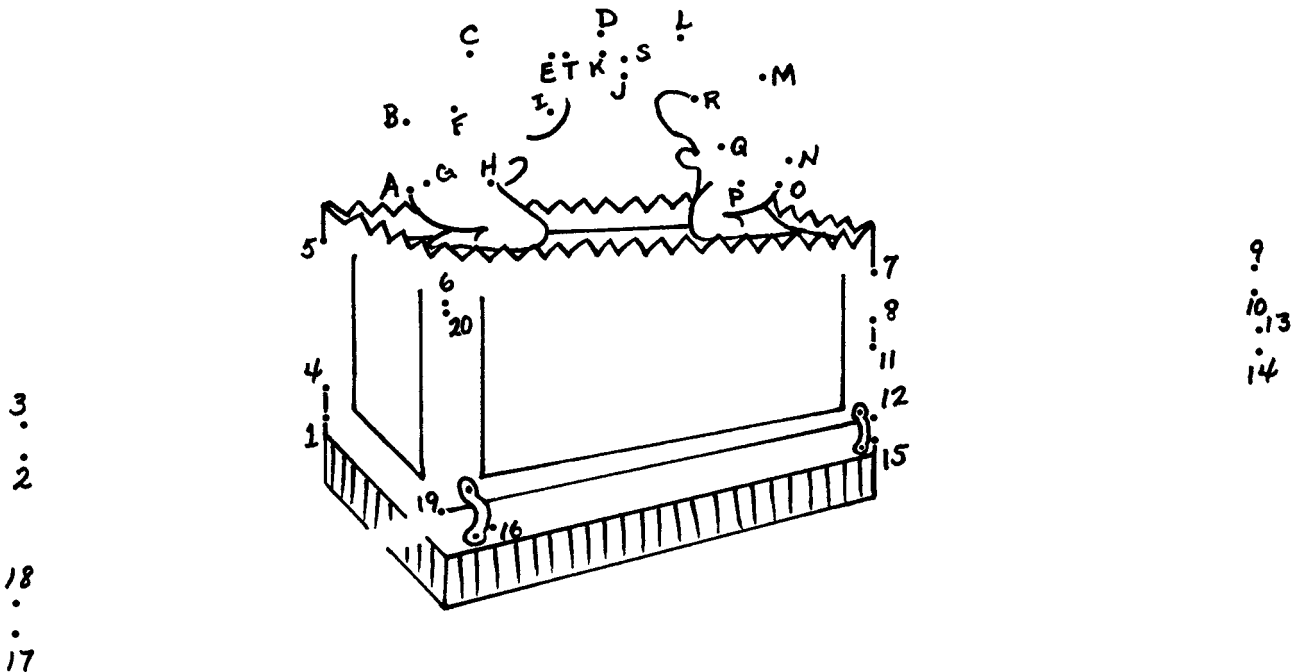
DAY 1 ✍️ **ACTIVITY PAGE:** Do as many of the activities as you can.

David settled in Jerusalem where Hiram built a palace for him. But David wanted to bring the ark of the LORD to Jerusalem. Trace the words "ark of the LORD."

ark of the LORD

ark of the LORD

Connect the dots to find out what the Ark of the LORD may have looked like. It was not large. It was carried on poles all the time the children of Israel were in the wilderness. That same ark was placed in the temple when it was later completed by Solomon as God instructed. Color the ark a golden color.



DAY 2  **BIBLE STORY:** *Who can help you read the story?* _____

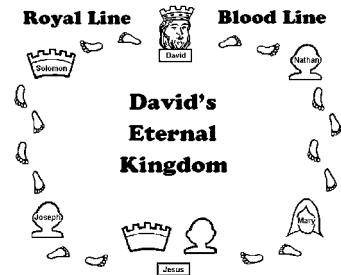
Ask someone to help you write a few words to answer the following questions.

1. What do you think is important, or what question do you have about the story?

2. How can this passage story help you grow?


DAY 3  **BIBLE VERSE:** *2 Samuel 7:16*

"And your house and your kingdom shall be made sure forever before me. Your throne shall be established forever."



DAY 4  **SENTENCE BLANKS:** *Please fill in the missing letters.*

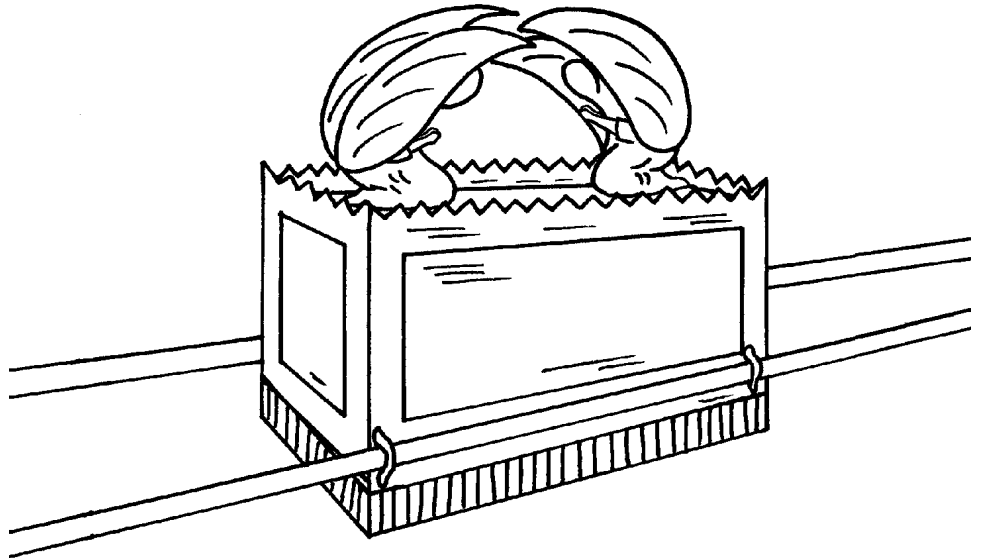
1. David was moving the ___rk to Jerusalem on a ___art, but ___zzah was killed when he touched it. (2 Samuel 6:1-3, 6-7)
2. Three ___onths later the Levites properly carried the ark to the city of ___avid. (6:11-13)
3. David celebrated with all of Israel with all his ___ight. (2 Sm 6:1, 13-15)
4. David's wife, ___ichal, did not like to see David without his kingly garments. (2 Samuel 6:16-20)
5. David put the ark in a ___ent, but he wanted to build a ___ouse for it. (2 Samuel 6:17; 7:1-6;) God told ___athan that David's son would build the temple. (2 Samuel 7:4, 12-13)
6. God said that David's throne would be ___stablished ___orever. (2 Samuel 7:16)
7. David praised God for his ___reatness and thanked him for his promises. (7:21, 28)

DAY 5  **THINK, TALK, DO:** *What do you think; who can you talk with; what will you do?*

1. How has God guided or protected you in the past?
2. How are you looking forward to God's future promises?
3. How do you spend time looking for what you can do for God instead of what God can do for you?
4. For further information read Psalm 132 this week.
5. What did you learn about God or yourself from Psalm 132?
6. What is very important to you?
7. What do you think is very important to God?

God's Covenant with David

Ad



ark