

God's Covenant with David

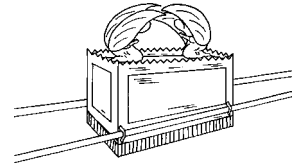
David was the new king of all Israel. He wanted to move the ark of God from the land of Abinadab to Jerusalem. David gathered men from all of Israel, and they began to move the ark. They put the ark on a new cart and moved it down the hill toward the threshing floor.

David and all the men of Israel were celebrating with all kinds of musical instruments. While they were celebrating, the ark almost fell from the cart because of the oxen. When Uzzah reached out to steady the _____, the LORD struck him down. They were not moving the ark as God had instructed. Uzzah died there that day.

David was angry about Uzzah's death. He was afraid to move the ark any further. So David left the ark at the house of Obed-edom the Gittite for three months. Later they learned how to move it safely. They had the Levites _____ it with its poles.

Then David celebrated with the children of Israel before the LORD. He danced and shouted with the trumpet blowing. As they entered the city, Michal saw King David leaping and dancing before the LORD without his outer kingly garments. She did not like what David was doing. Michal despised him in her _____. Later David explained to Michal that he was celebrating to the LORD who had chosen him to be the ruler of all Israel.

David put the ark inside the tent he had made for it. Next David offered burnt offerings and peace offerings before the LORD. David blessed the people in the name of the LORD. Then David gave all the men and women cakes of bread, of dates and of raisins before they went home.



The LORD gave David peace from all his enemies. David told Nathan, the prophet, that he was living in a house of cedar. He pointed out that the ark of God was dwelling in a _____ of curtains. Nathan told David to do what he wanted to do because the LORD was with him.

That night God told Nathan to tell David that he was not the one to build a house for God to dwell in. God had taken David from being a shepherd of sheep and had made him the _____ of Israel. God had been with David and had destroyed David's enemies. God said He would make David's name great among the people. God said that David's son would build a _____ for God's name. David's throne would be established forever. Nathan told David everything that God said.

David went and sat before God and remembered what God had done for him with a grateful heart. David praised God for His greatness. He thanked Him for His promises.

QUESTIONS: What did David want to do for God?
What was God's promise to David?

WORD BANK: ark, carry, heart, house, king, tent

Lesson 41: God's Covenant with David

DAY 1 - 2



PASSAGE & ACTIVITY: 2 Samuel 6-7 (1 Chr 13-17; Ps. 89; 131; 132)

Please unscramble these Bible story words. Can you find them in your Bible?

akr _____

oeush _____

acryr _____

entt _____

aerth _____

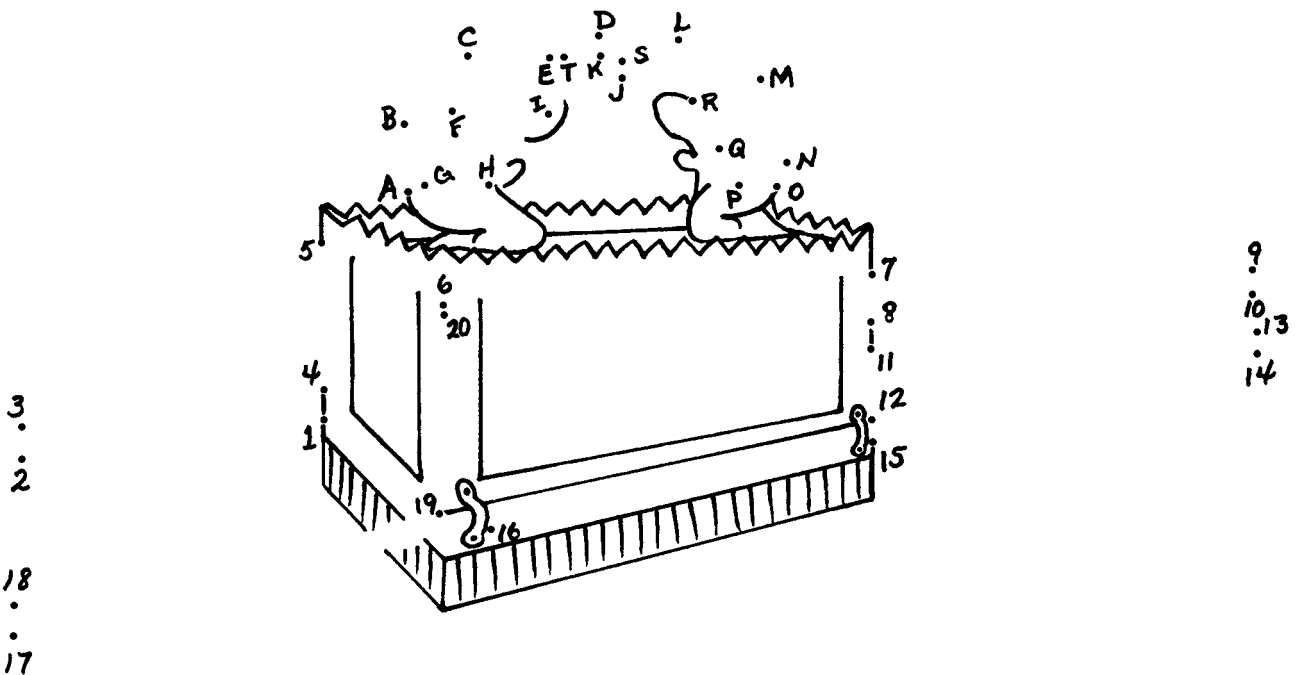
eurrl _____

David settled in Jerusalem where Hiram built a palace for him. But David wanted to bring the ark of the LORD to Jerusalem. Trace the words "ark of the LORD."

ark of the LORD

ark of the LORD

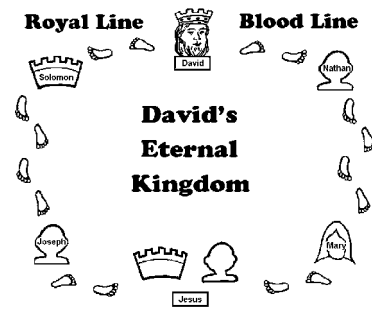
Connect the dots to find out what the Ark of the LORD may have looked like. It was not large. It was carried on poles all the time the children of Israel were in the wilderness. That same ark was placed in the temple when it was later completed by Solomon as God instructed. Color the ark a golden color.



DAY 3  **BIBLE VERSE:** Use the reference to find missing words.


2 Samuel 7:16

"And your house and your _____ shall
_____ before Me _____; your throne
shall be established forever."



DAY 4  **SENTENCE BLANKS:** Please fill in the missing letters.

1. David was moving the ark a ___ to Jerusalem on a c ____, but U _____ was killed when he touched it. (2 Samuel 6:1-3, 6-7)
2. Three m _____ later the Levites properly carried the ark to the city of D _____. (2 Samuel 6:11-13)
3. David celebrated with all of Israel with all his m _____. (2 Sm 6:1,13-15)
4. David's wife, M _____, did not like to see David without his kingly garments. (2 Samuel 6:16-20)
5. David put the ark in a t _____, but he wanted to build a h _____ for it. (2 Samuel 6:17; 7:1-6)
6. God spoke to N _____ the prophet and said that David's son would build the temple. (2 Samuel 7:4, 12-13)
7. God said that David's throne would be e _____
f _____. (2 Samuel 7:16)
8. David praised God for His g _____ and thanked Him for His promises. (2 Samuel 7:21, 28)

DAY 5  **THINK, TALK, DO:** What do you think; who can you talk with; what will you do?

1. How has God guided or protected you in the past?
2. How are you looking forward to God's future promises?
3. How do you spend time looking for what you can do for God instead of what God can do for you?
4. For further information read Psalm 132 this week.
5. What did you learn about God or yourself from Psalm 132?
6. What is very important to you?
7. What do you think is very important to God?